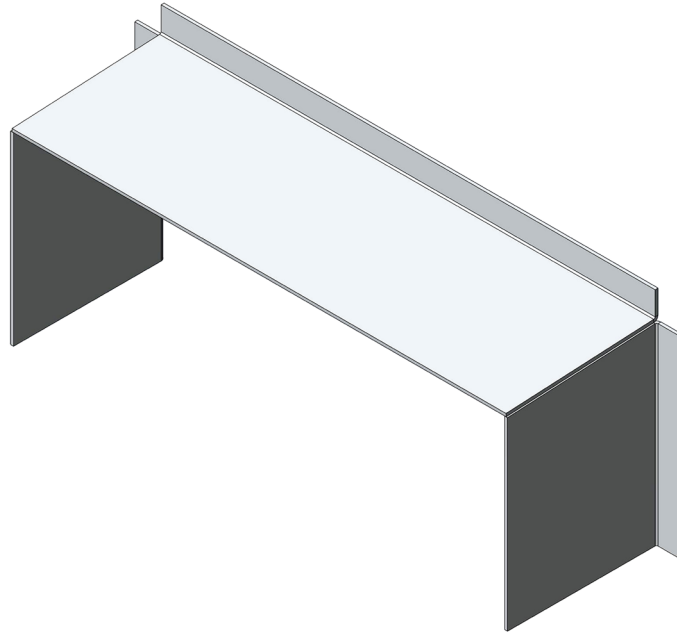


3 Sided Window Shroud



Aluminium window shrouds are an architectural feature that add both form and function to a window opening. Each shroud is custom made to suit varying window applications with fall on horizontal surfaces to allow water run-off and integrated returns at the rear for fixing.

- Produced from 6.00mm Aluminium 5005 M/F
- Available in a range of custom sizes.
- Ability to offer custom join methods for sizes exceeding standard sheet size and powder coat facilities.
- Privacy shrouds available.
- All shrouds are custom designed and fabricated. Please contact us for a quote.

Order Form 3 Sided Window Shroud

Office Use Only

Customer Name	Ordered By
Telephone No	Purchase Order No
Email	
Delivery Address	

Invoice Number

000000

Date Ordered

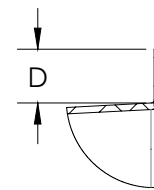
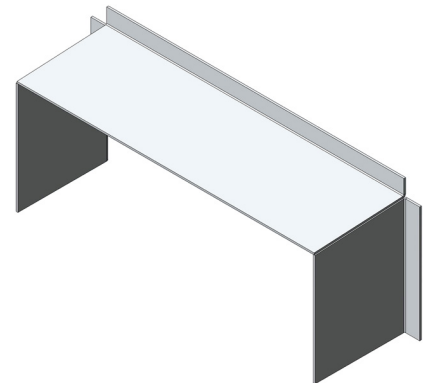
00/00/0000

Cost

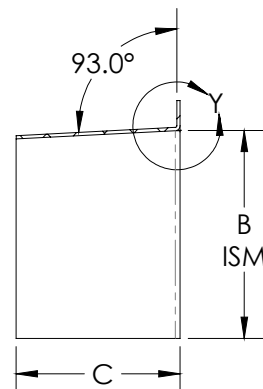
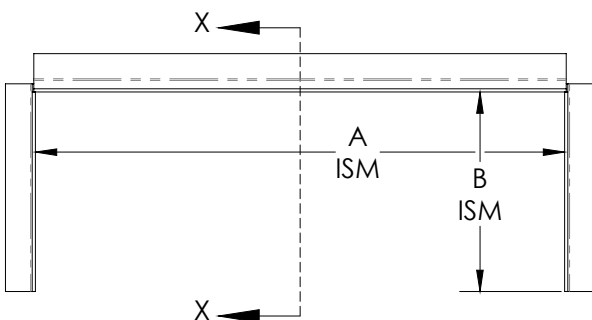
\$000.00

Powder Coat Colour		
Qty		
Description		Dimensions in mm
A	Inside Width	
B	Inside Height	
C	Depth	
D	Fixing Flange	50 or Custom _____

Material Type/Thickness
Aluminium M/F 6.00mm Thick



DETAIL Y



SECTION X-X